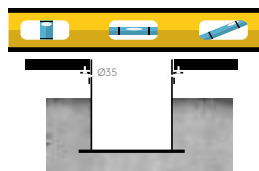


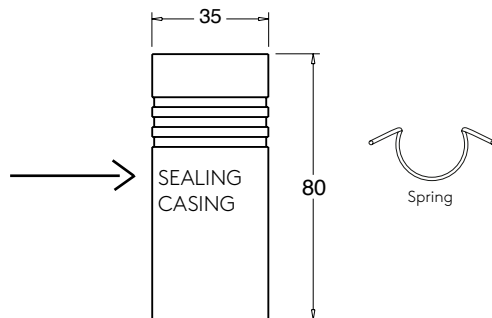
INSTALLATION SHEMATICS

1

PLACEMENT OF THE SEALING SQUARE IN THE GROUND



- ⚠ Position the sealing sheath at final floor level.
- ⚠ Test the drainage before the first use.



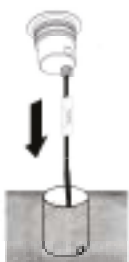
2

Use an IP68 waterproof connector

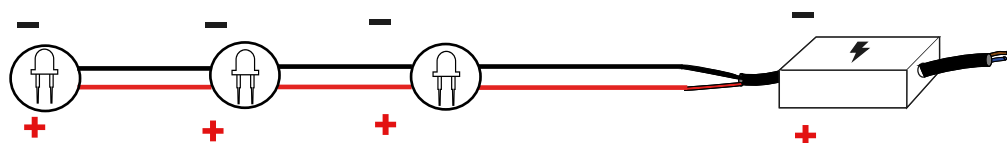


3

⚠ Warning projector not immergeable



Parallel wiring 12-24VDC



Lumière à la Française depuis 2008

www.orsteel-light.com
+33 (0)4 93 85 98 30



orsteellight orsteel.light



All data are given for information purposes only. They do not constitute a contractual commitment on our part and are subject to change at any time.



ANTONIN

12-24VDC



The Antonin embedded LED spotlight is easy to flush mount. It will delineate your paths and is suitable for roadways. It is a raking light, for marking roadways or pedestrian walkways. Its integrated anti-glare system allows optimal light diffusion.

Electrical features

POWER	1x2.5W
SUPPLY	12-24VDC
POWER SUPPLY	Not included
WIRING	Parallel

Mechanical characteristics

SIZE	50x57mm
WEIGHT	0.07kg
MATERIAL	Solid aluminium

General characteristics

OPERATING TEMPERATURE	- 20°C ~+ 60°
INGRESS PROTECTION	IP68
IMPACT RESISTANCE	IK10
ENERGY CLASS	A / A+ / A++
APPLIANCE CLASS	CLASS III
WALKOVER FIXTURE	YES
DRIVE-OVER FIXTURE	YES
WIRES	Supply wire 2x0,35 mm ² in IP68
PHOTOBIOLOGICAL SAFETY	Risk group I

Characteristics lighting techniques

AVERAGE LIFE OF THE LED	60 000 hours
COLOUR EMISSION	Certified L90 B10 2700K - 3000K - 4000K - 6000K
	RED - GREEN BLUE - AMBER
BEAM	10°-25°-40-115°
INITIAL OUTFLOW	132lm at 3000k

INSTALLATION GUIDE

1. Use

Discreet embeddable spotlight, can be driven on, for occasional architectural and landscape lighting. The complete product, in terms of power/size, for replacing fibre optics. Only an IP68 connection to the electricity network ensures the IP68 protection degree of the product. Manufacturing/special applications available on request. Cannot be installed in roads.

2. Technical data/Assembly

Projector with 1 x 2,5W LED cold white (6000 K), neutral white (4000 K), warm white (3000 K)... Diffusion of light by 10° 25° 40° 115° LEDS. Flush-mount housing in stainless steel 316L material for wall mounting or fixing in the ground NOT included. 2x0,35mm² IP68 cable included with the delivery.

3. Installation/assembly

Please comply with the applicable national safety requirements We disclaim all responsibility for non-compliant use or assembly. Similarly, we reject any responsibility for any modifications you may make to the light fittings.

For their use, constant current projectors must always be connected in series to the corresponding DC power supply (see power packs) (12-24VDC). Do not disassemble the projector casing, because the cables and the plate are sealed. Install the spotlight in concrete, paving blocks, plates, wood, earth, gravel, green spaces or flower beds. We cannot supply universal installation instructions because ground conditions and the location will vary for each project. The pictograms show examples of typical installations for flush assembly in an aluminium mounting box in concrete, asphalt, earth, etc.

When installing aluminium flush-mount housing in concrete, asphalt or earth, it is imperative to provide a foundation if need be, to ensure the stability of the mounting tube and to ensure adequate drainage, e.g. by a gravel/sand filling. For sealing and retrofitting the spotlight, the upper edge of the flush-mount housing should be flush with the upper surface (e.g. soil, tiles, wood). To ensure the desired horizontal and vertical alignment of the spotlight, it is essential to ensure correct installation of the flush-mount housing and the appropriate alignment of the protective conduit.

Installing the spotlight

Place the spotlight in the mounting tube and move into position so it is flush with the upper surface.

4. Connecting to the power packs/connection matrix

Constant current projectors must only be connected in parallel. If applicable, proceed with connection in parallel in separate load distribution units, the outside of which must also be protected against humidity using a sealing compound.

5. General Maintenance Instructions

Do not use detergents which are harmful to metals when cleaning the spotlight. The use of hydrochloric acid-based detergents on and around any parts of a stainless steel light fitting is totally forbidden.

Regularly clean the spotlight and its mounting box to avoid any rust deposit. Caution: Do not use a high pressure cleaner. Any lost screws should only be replaced by V4A stainless steel screws.

According to conditions of use (power, environmental circumstances), it is recommended to change the seals (on the glass, screw fittings and O-rings) and the cable every 5 to 8 years.

6. Warranty conditions

The following time limits and provisions of the warranty shall apply from the date of delivery: - 24 months for Orsteel spotlights

The warranty covers defects in materials, manufacturing defects and any treatment which is proven to be attributable to the manufacturer.

Any damage resulting from the non-compliance with this user leaflet or any non-compliant repair is excluded from the warranty.

We disclaim any guarantee where the installation has not been carried out according to the instructions or where unsuitable bulbs or connection cables have been used.

We reserve the right to make any modification corresponding to technical advancement.

7. Important Notice

(The warranty becomes void in the event of non-compliance with the following points)

The absence of damage during transport must be verified before installation.

Any assembling and installation, as well as any electrical work, must be carried out by qualified personnel.

To avoid any rust deposits, only stainless steel tools should be used.

The cable length for lamps must be chosen to avoid extending it in water or in a damp environment. Any subsequent claim for this reason will not be accepted.

A mounting distance of 10 cm between each device is strongly recommended to avoid mutual heating.

Equipment must be connected without current, otherwise surges in the power supply could damage the LEDS. There must be no primary voltage when changing LEDS.

When connecting the lamps, please ensure that polarity matches! A polarity error may damage the LED module.

The customer is advised to install protection against any over voltage compliant with standards DIN VDE 0100-443, DIN VDE 0100-534 and En 62305.

Please observe the measures against electrostatic discharge during all work on the spotlights, equipment and LEDS.